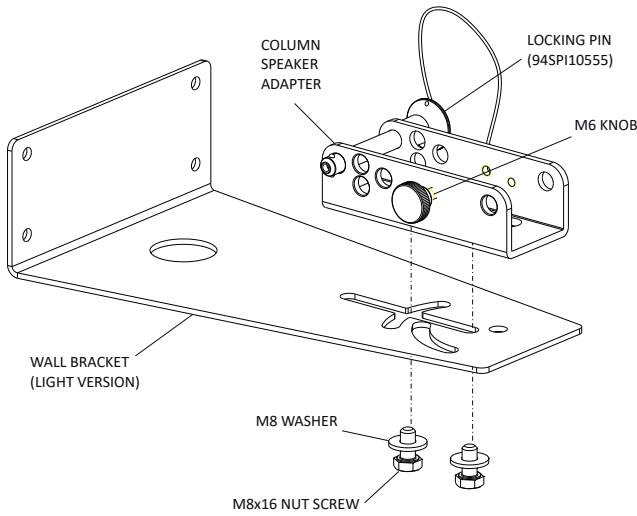
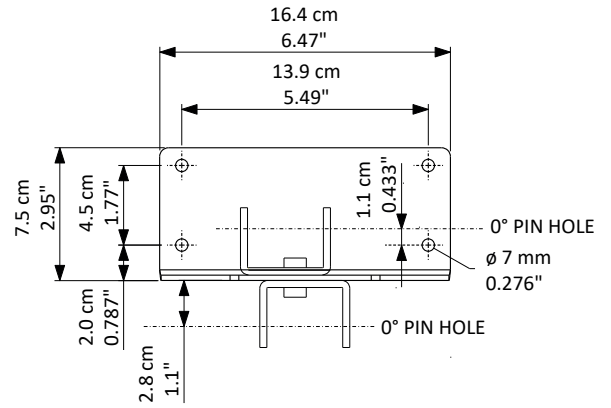


SUPPLIED MATERIALS

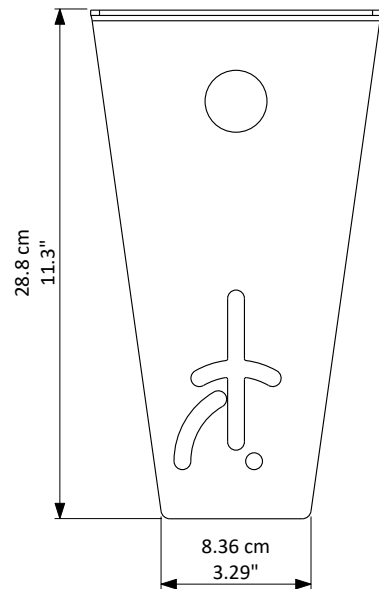
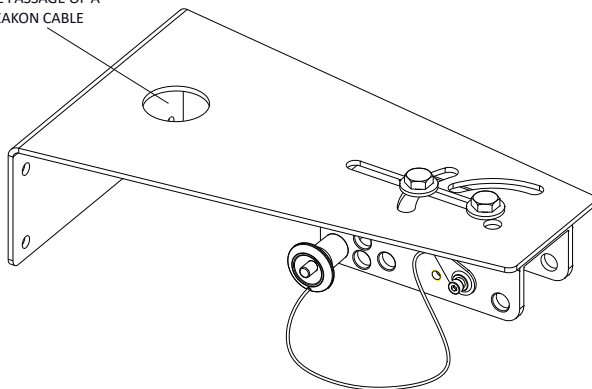


DIMENSIONS and DRILLING

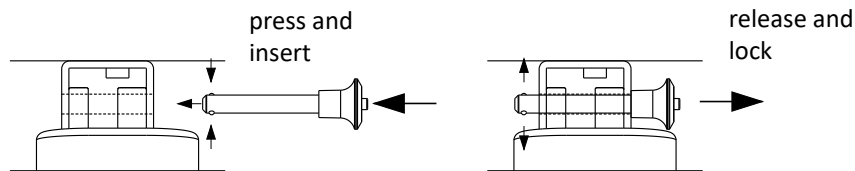


TYPICAL TOP ASSEMBLY

THIS HOLE ALLOWS THE PASSAGE OF A SPEAKER CABLE



LOCKING PIN INSERTION



WARNINGS:

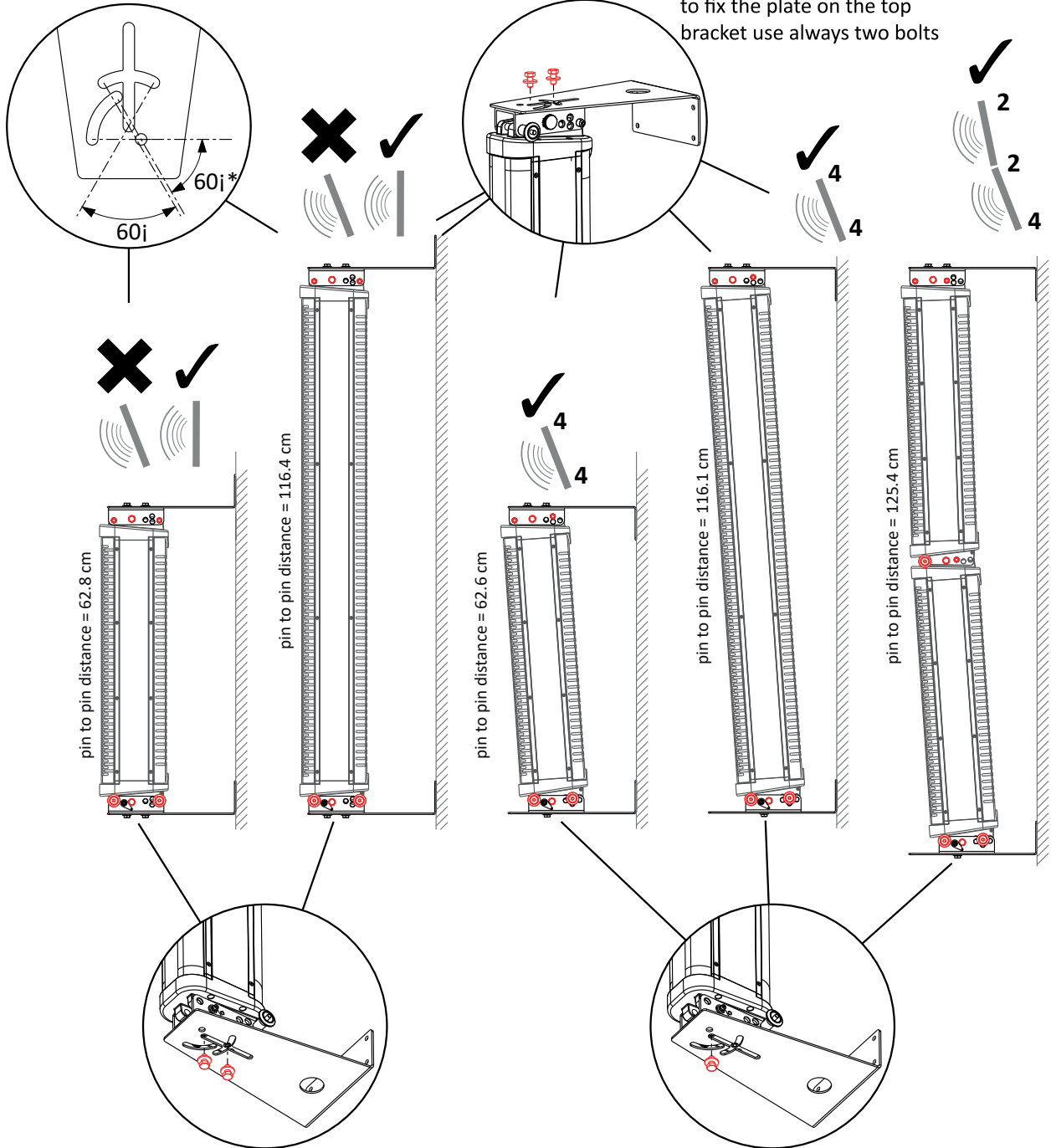
- No hardware is supplied to install the KPTWAX16CLL to the walls: the hardware to be used depends on the wall structure. Use always the best hardware available, taking in consideration the whole weight of loudspeakers and accessories.
- Brackets MUST be installed by qualified personnel in accordance with safe installation practices.
- A single AX16CL or 2x AX8CL speakers can be installed using the KPTWAX16CLL as top and bottom wall brackets.
- KPTWAX16CLL can be used also in combination with KPTWAX16CL as bottom bracket for 2x AX16CL speakers.



ASSEMBLY SEQUENCE

Column orientation is possible only aiming it at 0°.

*to use these angle setup top and bottom brackets must have same orientation.



CONDITIONS OF USE

Proel do not accept any liability for damage caused to third parties due to improper installation, use of non-original spare parts, lack of maintenance, tampering or improper use of this product, including disregard of acceptable and applicable safety standards. Proel strongly recommends that this loudspeaker cabinet be suspended taking into consideration all current National, Federal, State and Local regulations. The product must be installed by qualified personnel only. Please contact the manufacturer for further information.